

Technical Information

No. FO 5139

Edition: 04/03 - subject to change

supersedes: -

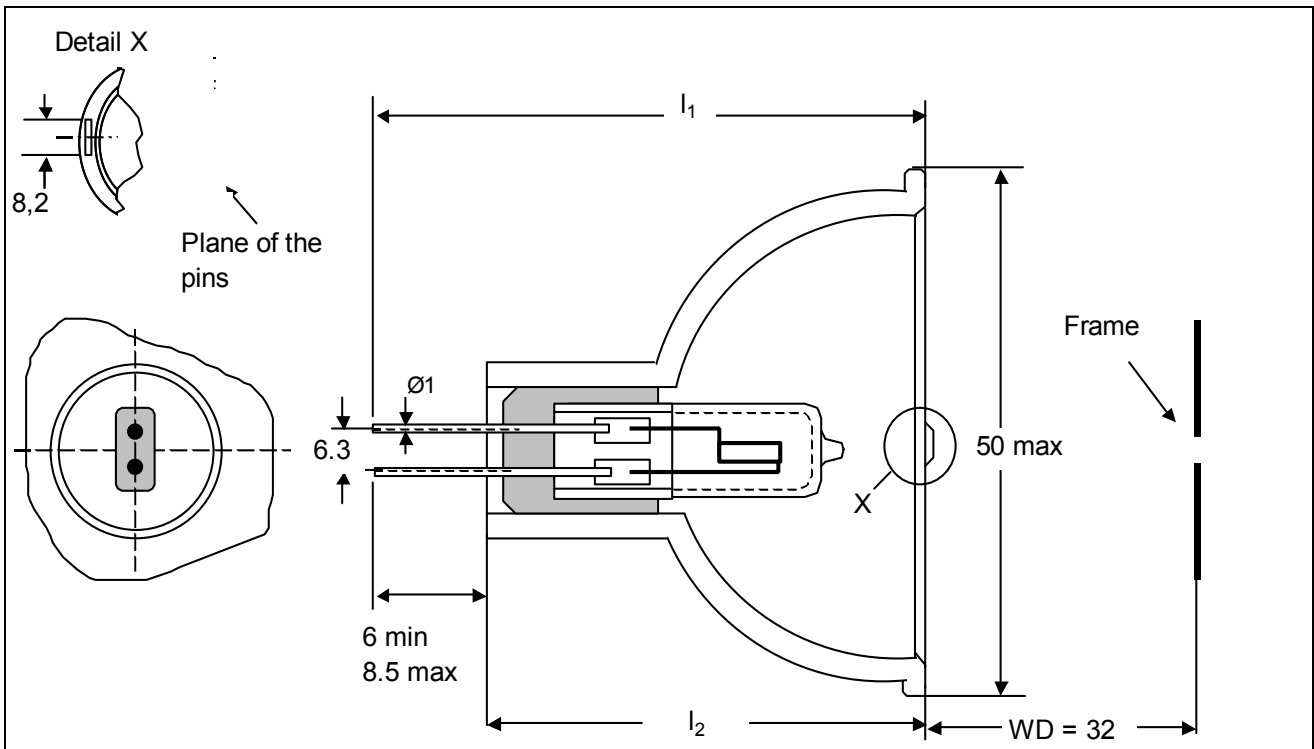
Status: valid

Halogen Reflector Lamp

64620

■ Product description

The OSRAM 64620 is a tungsten halogen low voltage lamp with a cold light reflector MR16. It is used for projection, fiber optic applications and entertainment lighting.



■ Technical data

Order reference		64620
ANSI		EFR-5
LIF		-
Voltage	V	15
Rated wattage	W	150
Luminous flux	lm	220 min. ¹⁾
Type of reflector		Ellipsoidal dichroic mirror
Reflector diameter	mm	50 max./49,4 min.
Recommended working distance	mm	32
Overall length l_1	mm	42 max.

Technical Information

No. FO 5139

Edition: 04/03 - subject to change

supersedes: -

Status: valid

Halogen Reflector Lamp

64620

Overall length l_2	mm	36 max.
----------------------	----	---------

Average service life ²⁾	h	500
------------------------------------	---	-----

Base		GZ6.35
------	--	--------

■ Required conditions of operation

Burning position		p90/15
------------------	--	--------

Maximum permissible seal temperature	°C	350
--------------------------------------	----	-----

Cooling ³⁾		Convection / forced
-----------------------	--	---------------------

¹⁾ Measured with:

Elkinon 1:1,2; f = 20mm; aperture 5,36 x 4,01mm; working distance 32mm; detector according DIN 15 749

²⁾ 50 % survival rate

³⁾ Depending on application forced cooling may be necessary in order to maintain proper seal temperature