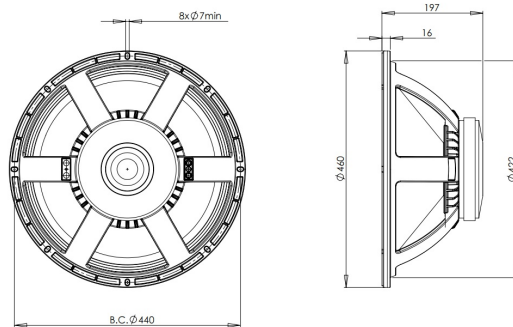


18PS100

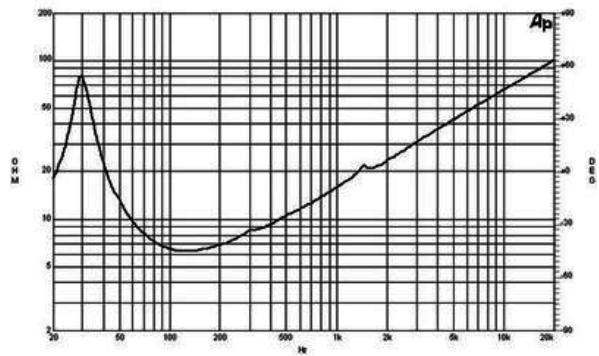
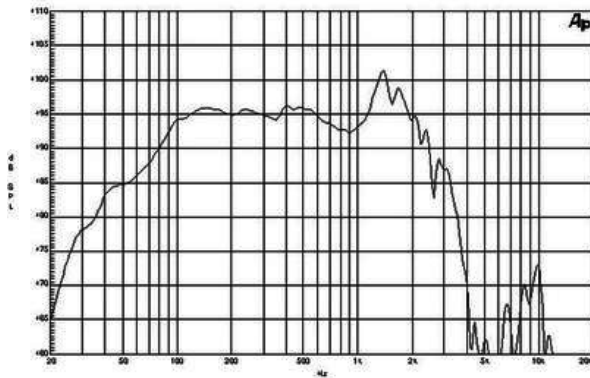
8Ω**LF Drivers - 18.0 Inches**

- 1400 W continuous program power capacity
- 100 mm (4 in) copper voice coil
- 30 - 1000 Hz response
- 95.5 dB sensitivity
- Double silicone spider with optimized compliance



18PS100

LF Drivers- 18.0 Inches



SPECIFICATIONS

Nominal Diameter	460 mm (18.0 in)
Nominal Impedance	8 Ω
Minimum Impedance	6.3 Ω
Nominal Power Handling ¹	700 W
Continuous Power Handling ²	1400 W
Sensitivity ³	95.5 dB
Frequency Range	30 - 1000 Hz
Voice Coil Diameter	100 mm (4.0 in)
Winding Material	Copper
Former Material	Glass Fibre
Winding Depth	21.0 mm (0.83 in)
Magnetic Gap Depth	11.0 mm (0.4 in)
Flux Density	1.05 T

DESIGN

Surround Shape	Triple Roll
Cone Shape	Radial
Magnet Material	Ferrite
Spider	Double Silicone
Pole Design	T-Pole
Woofer Cone Treatment	TWP Waterproof Both Sides
Recommended Enclosure	250.0 dm ³ (8.83 ft ³)
Recommended Tuning	29 Hz

PARAMETERS⁴

Resonance Frequency	30 Hz
Re	5.3 Ω
Qes	0.41
Qms	4.6
Qts	0.39
Vas	245.0 dm ³ (8.6 ft ³)
Sd	1210.0 cm ² (187.6 in ²)
η^0	1.6 %
Xmax	8.0 mm
Xvar	8.0 mm
Mms	202.0 g
Bl	22.5 Txm
Le	2.1 mH
EBP	73 Hz

MOUNTING AND SHIPPING INFO

Overall Diameter	460 mm (18.0 in)
Bolt Circle Diameter	440 mm (17.3 in)
Baffle Cutout Diameter	422.0 mm (16.6 in)
Depth	197 mm (7.75 in)
Flange and Gasket Thickness	16 mm (0.62 in)
Air Volume Occupied by Driver	9.5 dm ³ (0.33 ft ³)
Net Weight	10.5 kg (23.1 lb)
Shipping Units	1
Shipping Weight	12.1 kg (26.68 lb)
Shipping Box	500x495x275 mm (19.69x19.49x10.83 in)

SERVICE KIT

RCK18PS1008

- 2 hours test made with continuous pink noise signal within the range Fs-10Fs. Power calculated on rated nominal impedance. Loudspeaker in free air.
- Power on Continuous Program is defined as 3 dB greater than the Nominal rating.
- Applied RMS Voltage is set to 2.83 V for 8 ohms Nominal Impedance.
- Thiele-Small parameters are measured after a high level 20 Hz sine wave preconditioning test.

B&C Speakers s.p.a.

Via Poggiomoro, 1 - Loc. Vallina, 50012 Bagno a Ripoli (FI) - ITALY - Tel. +39 055 65721 - Fax +39 055 6572312 - mail@bcspeakers.com